

E4458B

Agilent Solid Side Panel Kit

Used with E3661B—1.6 meter Instrument Rack

Installation Instruction Sheet

Notice

The information contained in this document is subject to change without notice.

AGILENT TECHNOLOGIES COMPANY MAKES NO WARRANTY OF ANY KIND WITH REGARD TO THIS MATERIAL, INCLUDING, BUT NOT LIMITED TO, THE IMPLIED WARRANTIES OF MERCHANTABILITY AND FITNESS FOR A PARTICULAR PURPOSE.

Agilent Technologies Company shall not be liable for errors contained herein or for incidental or consequential damages in connection with the furnishing, performance, or use of this material.

This document contains proprietary information, which is protected by copyright. All rights are reserved. No part of this document may be photocopied, reproduced, or translated into another language without the prior written consent of Agilent Technologies Company.

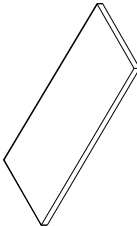

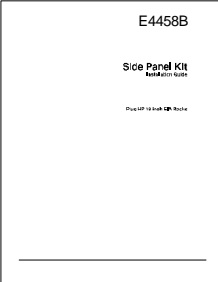
Copyright © 1998 by AGILENT TECHNOLOGIES COMPANY.

General Information

This Installation guide provides the information required to install a Side Panel Kit on a 19" Agilent Instrument rack.

Contents

The side Panel Kit contains the following:

Quantity	Description	Illustration
1	Side Panel, 1.6 meter, for 19" Agilent Instrument rack	
2	Screw, Machine 10-32 x 0.5"	
1	Side Panel Kit Installation Guide	

General Installation Information

The Side Panels fit vertically onto the sides of the 19" Agilent Instrument Rack by means of tabs at the top and screws at the bottom. The left and right side panel are identical.

Rack Space Requirements

The Side Panel mounts on the exterior side of the 19" Agilent Instrument rack, and takes up no EIU units of vertical space on the rack.

Tools Needed

To install the Side Panel you need this tool:

- T25 Torx screwdriver

Installation Time

A standard installation takes about a half-hour.

Installation Procedure

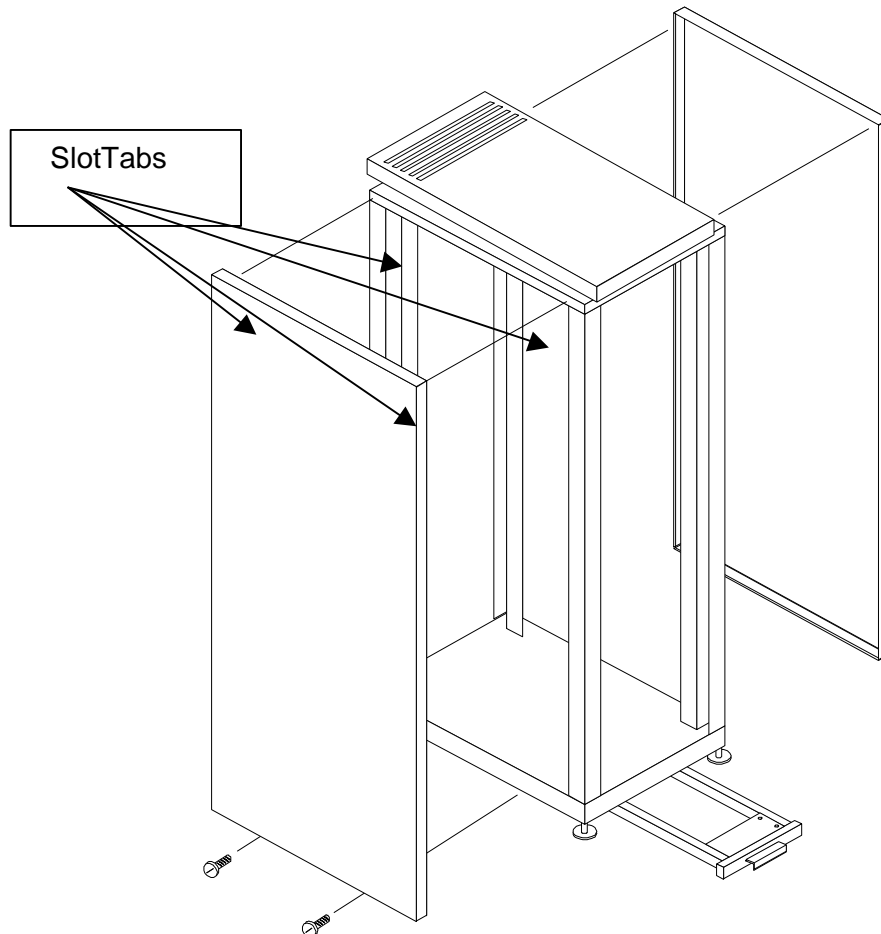


Figure 1: Installing Side Panels on the Agilent Instrument Rack

1. Locate the slots on the top of the side rack frame. Locate the metal table on the top, inside lip of the Side Panel.
2. Attach the top of the Side Panel to the Rack by positioning the Side Panel next to the rack, then tipping the top of the panel in, toward the rack. Lift the Side Panel and insert the metal tabs into the slots in the top of the rack frame.
3. To secure the bottom of the Side Panel to the rack frame, insert the two Machine Screws into the two holes at the bottom of the Side Panel. Tighten the screws.

Place this Guide with your other rack documentation for future reference